

TECHWIPES FOR VETERINARIANS

CLINIC TESTED | CLINIC APPROVED

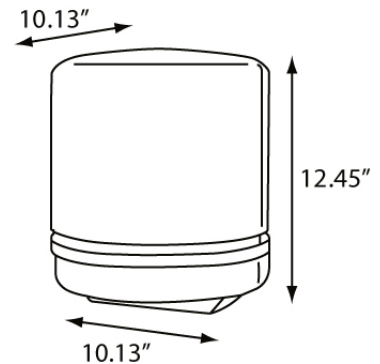
A DISPOSABLE WIPER PROGRAM SPECIFICALLY DESIGNED FOR VETERINARIANS!

Medical paper technology is applied to everyday use in clinical practice settings. Our proven wipes yield a smaller paper footprint and less down time, resulting in significant cost savings.



Centerpull Wipe Dispenser

- Item #TW255
- Self-adjusting centerpull wipe dispenser with a translucent dark cover and black back
- Dispensing aperture self-adjusts to prevent wear
- Provides reliable, single TECHWIPE sheet dispensing
- Translucent cover makes detecting a low TECHWIPES supply easy to see
- 10.13" w x 12.45" h x 10.13" d
- Weight = 2.45 lb.
- Made of durable, plastic with impact-resistant cover
- Includes 1 key and heavy-duty double latch lock



Questions? Contact us at orders@nichepaperproducts.com



Made in the USA

NICHE PAPER
PRODUCTS